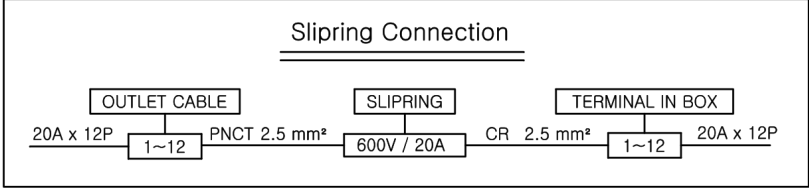
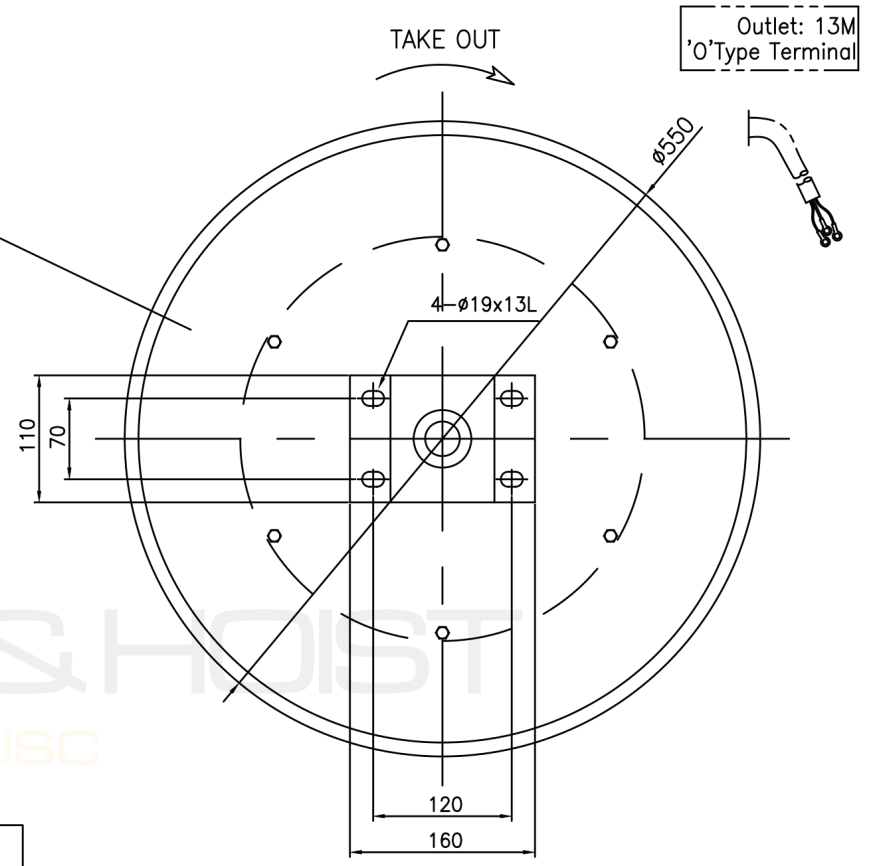
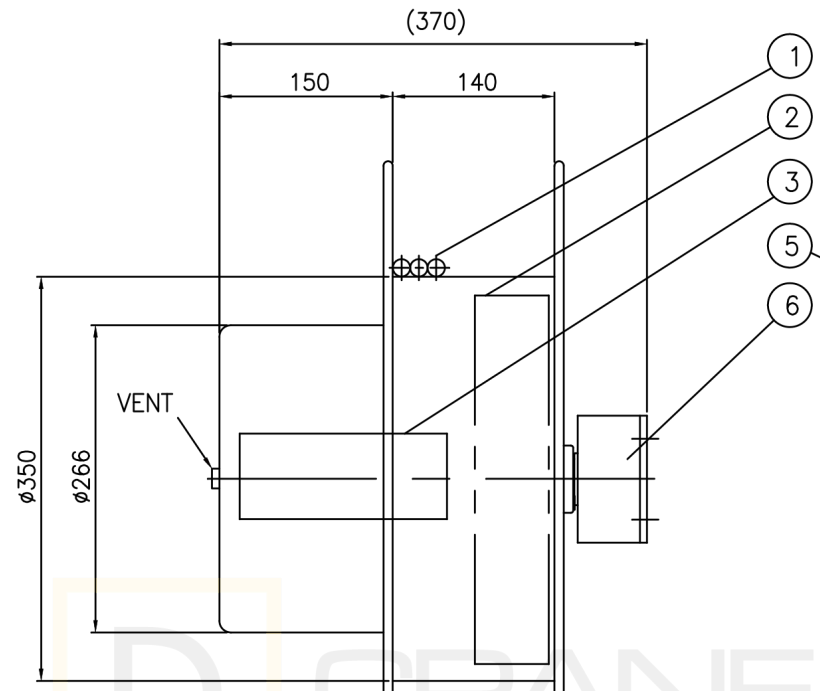
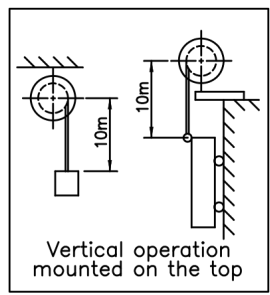
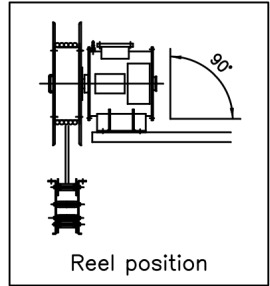
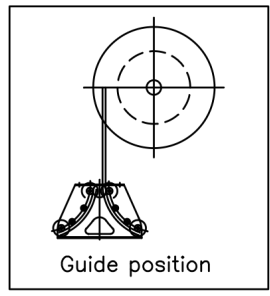


MARK	REVISIONS NO	REASONABLE RVISIONS	DATE	DWN	APVD



SPECIFICATION

- 1. Cable
 - o PNCT 2.5 sq x 12c
 - o Size : approx. 22.9 mm
 - o Weight : approx. 0.76 kg/m
 - o Length : 13 M
- 2. Winding Length : 10 M
- 3. Winding Speed : max. 20 M/MIN
- 4. Winding Torque : 4 Kg.m
- 5. Slip Ring : 20A x 12P
- 6. Paint Color : MUNSELL No. 7.5 BG6/1.5 (In Door)
- 7. Setting Height : Max. 10.0 m from G.L.
- 8. Q' ty : 1 Set
- 9. Weight : - Kg

6		FRAME ASS'Y	SPHC	1	
5		DRUM ASS'Y	SPCC	2	
4		TERMINAL BOX	PLASTIC	1	
3		SLIP RING	C3771	12	
2		SPRING	ATX	2	
1		CABLE	PNCT	13M	
ITEM 순번	PARTS NO. 품번	PART NAME 품명	MATERIAL 재질	Q'TY 수량	REMARKS 비고
PROJECTION		DIMENSIONS		SCALE	MODEL
3rd ANGLE		METRIC (mm)		1 : 7	ECCV-213-12-R
CUSTOMER 고객		VNID		PART NAME	
				ASS'Y	
MODEL COLOR 제품 색상		-		PART NO.	
				Z841-9000	
	DRAWING	DESIGN	CHECK	APPROVAL	
SIGN		P.S.Y			
DATE	2017.3.27				



A4(210X297)